

SERIES MARK II | MOLDED PLASTIC MANOMETERS

FEATURES/BENEFITS

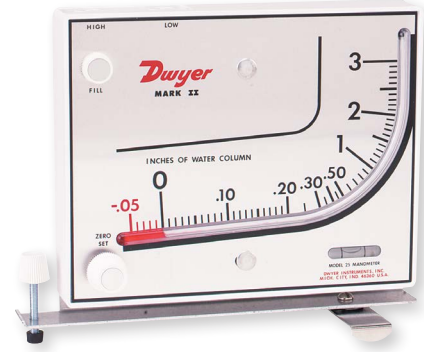
- Broad ranging in easy to read calibrated increments
- Gages ideally suited for general measurements and specific air applications
- Compact, stationary or portable device, make it a simple to use tool for pressure measurement in OEM or user applications

APPLICATIONS

- Paint booths
- Air velocity measurement
- Air filter gage

DESCRIPTION

Series **MARK II Molded Manometers** are of the inclined and inclined-vertical types. The curved inclined-vertical tube of the Model 25 gage provides higher ranges with more easily read increments at low readings. The Model 25 is excellent for general purpose work. The Model 40 inclined gage provides linear calibration and excellent resolution throughout its range. The Model 40 is ideally suited for air velocity and air filter gage applications. Both gage types are capable of pressure measurements above and below atmospheric as well as differential pressure measurements.



Inclined-vertical manometer



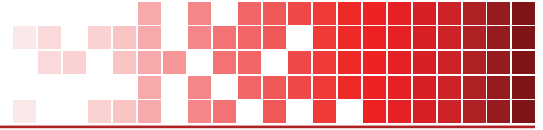
Inclined manometer

INCLINED/VERTICAL SPECIFICATIONS

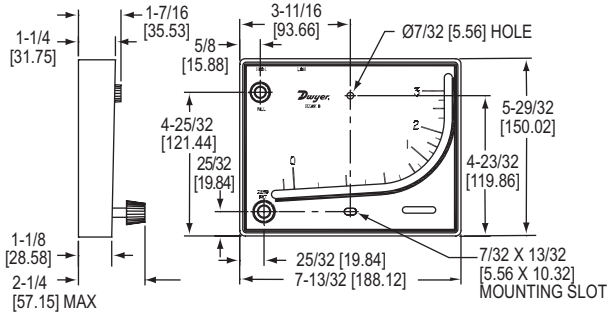
Accuracy	±3% FS.
Temperature Limits	140°F (60°C).
Pressure Limits	10 psi (70 kPa).
Weight	1.04 lb (472 g).

INCLINED SPECIFICATIONS

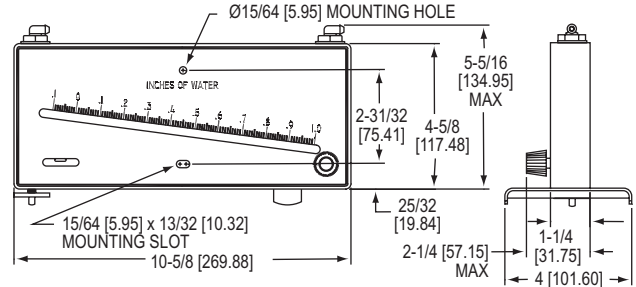
Accuracy	±3% FS.
Temperature Limits	150°F (65°C).
Pressure Limits	15 psi (1000 kPa).
Scale Length	Approx. 8-1/4" (21 cm).
Weight	1.23 lb (558 g).



DIMENSIONS



Inclined-vertical manometer



Inclined manometer

HOW TO ORDER

Use the **bold** characters from the chart below to construct a product code.

<p>SERIES</p> <p>MARK II: Molded plastic manometer</p>	<p>MARK II 25</p>	<p>SWITCH TYPE</p> <p>INCLINED/VERTICAL</p> <p>25: 0-3 in w.c., red fluid, .826 s.g. 26: 0-7 in w.c., blue oil, 1.91 s.g. 27*: 0-7000 fpm, red fluid, .826 s.g. MM-80: 0-80 mm w.c., red fluid, .826 s.g. M-700PA: 10-0-7000 Pa, red fluid, .826 s.g.</p> <p>INCLINED</p> <p>40-1: .10-0-1.00 in w.c., red fluid, .826 s.g. 40-1-AV*: 0-1.10 in w.c. (0-4200 fpm), red fluid, .826 s.g. 41-2: .20-0-2.400 in w.c., blue oil, 1.91 s.g. 41-2-AV*: 0-2.50 in w.c. (0-6300 fpm), blue oil, 1.91 s.g. 40-250Pa: 10-250 Pa, red fluid, .826 s.g. 40-250-AV*: 0-260 Pa (0-21 mps), red fluid, .826 s.g. 41-600PA: 20-0-600 Pa, blue oil, 1.91 s.g. 40-25MM: 0-26 mm w.c., red fluid, .826 s.g. 41-60MM: 0-60 mm w.c., blue oil, 1.91 s.g.</p>
--	------------------------------------	--

* Pitot tube required at additional cost.

ACCESSORIES

Model	Description
A-612	Portable stand
A-606	Air filter kit
A-480	Plastic static pressure tip
A-489	4" straight static pressure tip with flange

Additional accessories can be found on our website, visit:
<http://www.dwyer-inst.com/Product/Pressure/Manometers/Stationary/SeriesMarkII#accessories>

Important Notice: Dwyer Instruments, Inc. reserves the right to make changes to or discontinue any product or service identified in this publication without notice. Dwyer advises its customers to obtain the latest version of the relevant information to verify, before placing any orders, that the information being relied upon is current.