

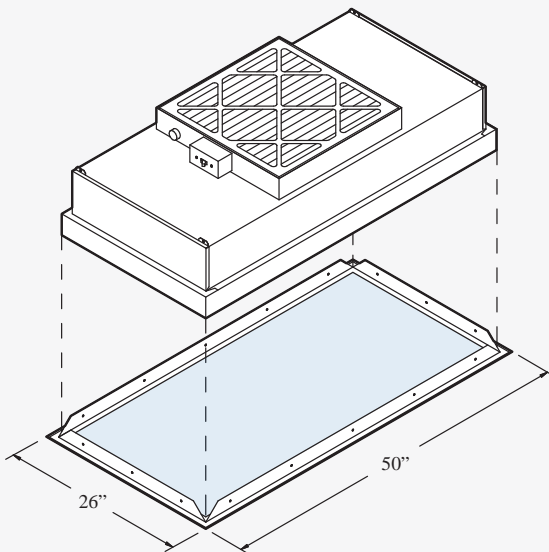
Options

Sheet Rock Adapters for Independent Support of SAM Filter Units in Solid Ceilings

Fabricated from white powdercoated steel or Stainless Steel and supplied with factory applied gasket. Suspension from building structure by others.

Ordering Information

| Part No. | Description | Ceiling Opening Required | Weight |
|----------|--|--|----------------------|
| 19993 | 2 x 2 White Sheet Rock Adapter | Min. 24-1/8 x 24-1/8 Max. 24-1/2 x 24-1/2 | 5 lbs. (2.3 kg.) |
| 19994 | 2 x 4 White Sheet Rock Adapter | Min. 24-1/8 x 48-1/8 Max. 24-1/2 x 48-1/2 | 11 lbs. (5.0 kg.) |
| 19995 | 2 x 4 Stainless Steel Sheet Rock Adapter | Min. 24-1/8 x 48-1/8 Max. 24-1/2 x 48-1/2 | 13 lbs. (5.9 kg.) |
| 19996 | 2 x 2 Stainless Steel Sheet Rock Adapter | Min. 24-1/8 x 24-1/8 Max. 24-1/2 x 24-1/2 | 6 lbs. (2.7 kg.) |



Ceiling Collars: Structural Support Frame For Independently Suspending SAM Filter Units in Solid Ceilings

Anodized Aluminum with factory applied gasket and includes four (4) Turnbuckles & RH/LH Threaded Rod. Suspension from top of turnbuckle to building structure by others. Consult Factor for custom sizes.

Ordering Information

| Part No. | Description | Ceiling Opening Required |
|----------|-------------------------|--|
| 19990 | 2 x 2 Anodized Aluminum | Min. 25-1/4 x 25-1/4 Max. 25-3/4 x 25-3/4 |
| 19991 | 2 x 4 Anodized Aluminum | Min. 25-1/4 x 49-1/4 Max. 25-3/4 x 49-3/4 |
| 19992 | 2 x 6 Anodized Aluminum | Min. 25-1/4 x 73-1/4 Max. 25-3/4 x 73-3/4 |

